

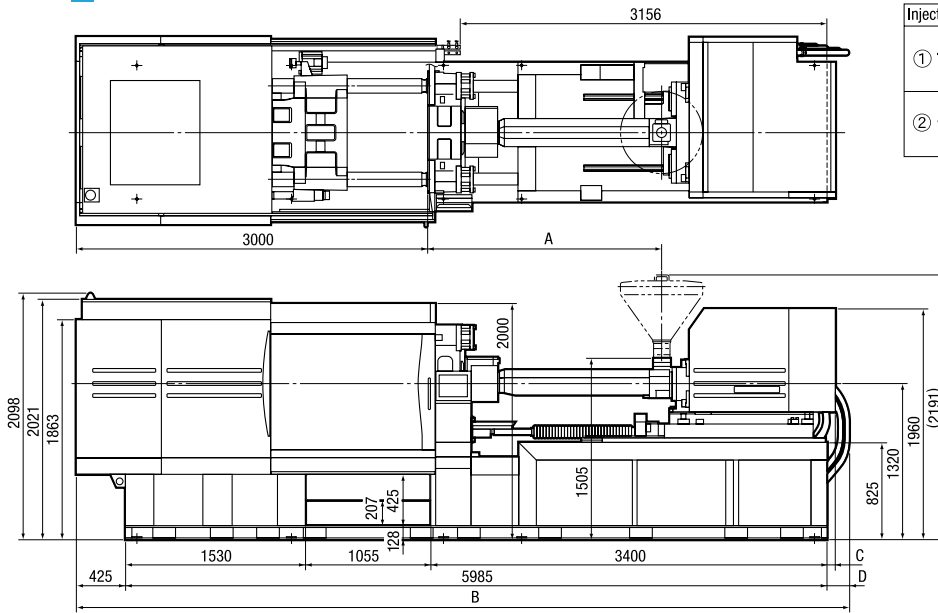
NEX280

Injection type : ① 71E [Screw diameter : $\phi 50 / \phi 56 / \phi 63$] *

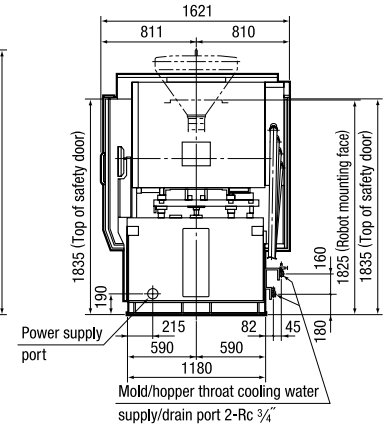
② 100LE [Screw diameter : $\phi 50 / \phi 56 / \phi 63$]

The ★ indicates the standard combination.

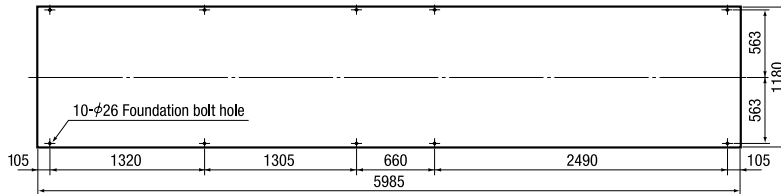
EXTERNAL VIEW



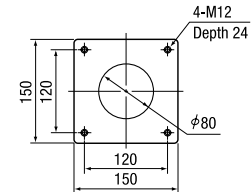
Injection type	Screw dia.	A	B	C	D
① 71E ★	50	1269~1719	6410	—	—
	56	—	—	—	—
	63	1537~1987	6600	79	190
② 100LE	50	1260~1710	6569	—	159
	56	—	—	—	—
	63	1563~2013	6720	199	310



FOUNDATION DIAGRAM

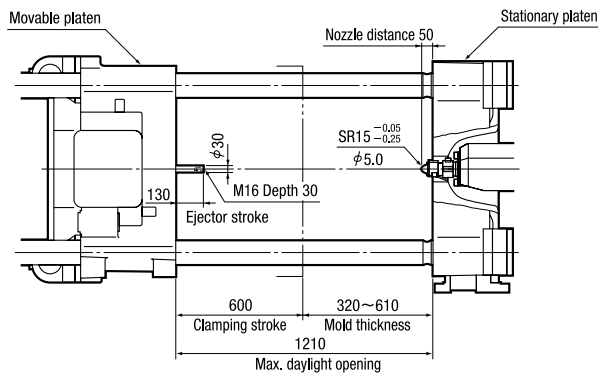


HOPPER FIXATION DIAGRAM

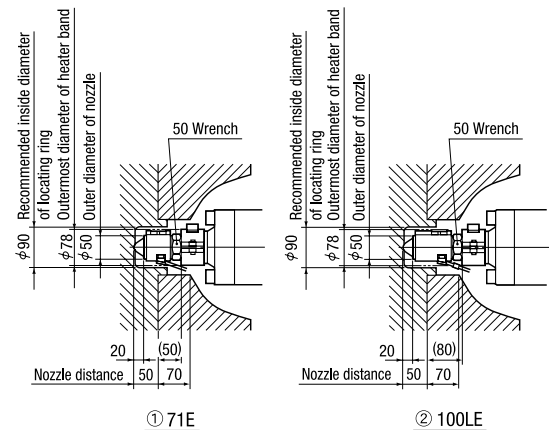
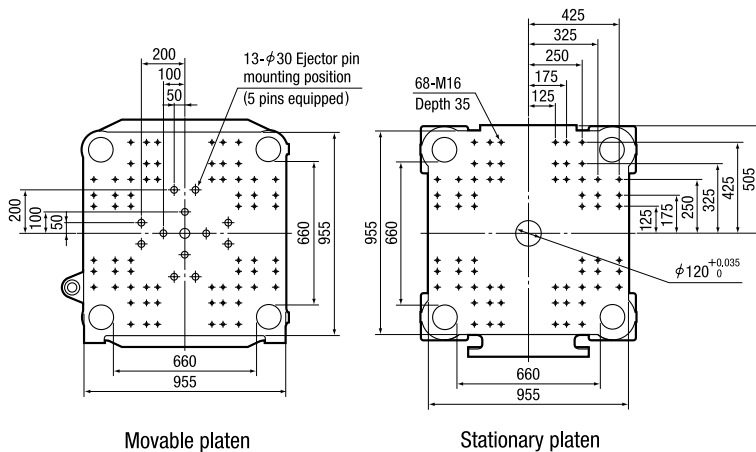
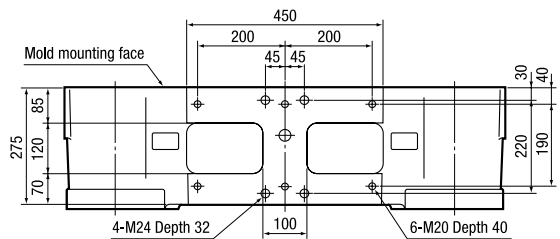


MOLD ATTACHMENT DIAGRAM

* The minimum mold dimensions of 465 mm (H) × 465 mm (V) are required in order to achieve the maximum clamping force.



ROBOT FIXATION DIAGRAM



Nozzle section

● Subject to change without notice for performance upgrades.