

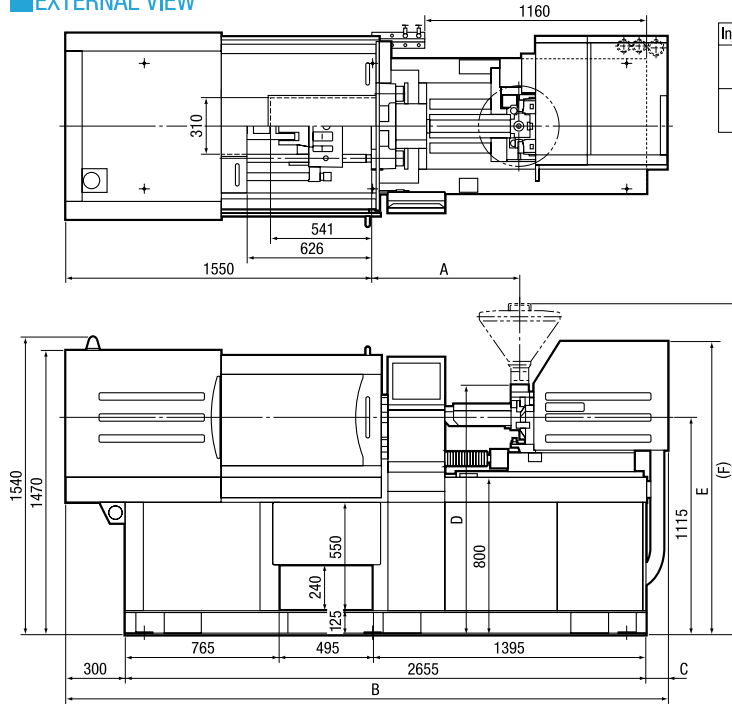
NEX30

Injection type : ① 2E [Screw diameter : $\phi 16 / \phi 19$] ★

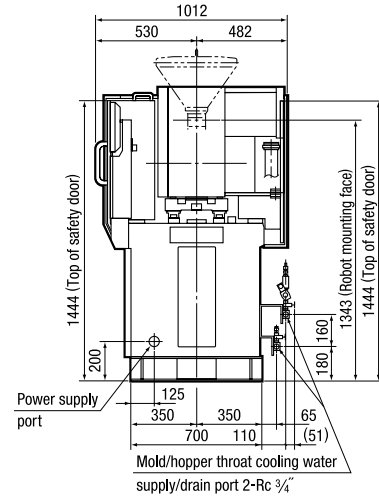
② 3E [Screw diameter : $\phi 19 / \phi 22$]

The ★ indicates the standard combination.

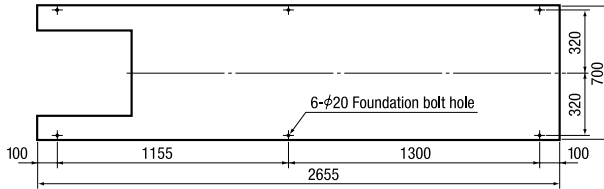
EXTERNAL VIEW



Injection type	Screw dia.	A	B	C	D	E	F
① 2E ★	16	470~690	3060	105	1260	1505	1670
	19	531.5~751.5					
② 3E	19	554.5~824.5	3275	320	1270	1530	1680
	22	604.5~824.5					

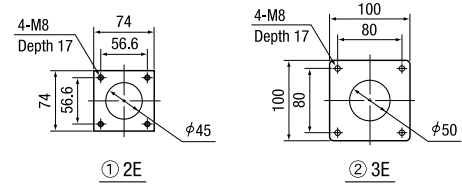


FOUNDATION DIAGRAM



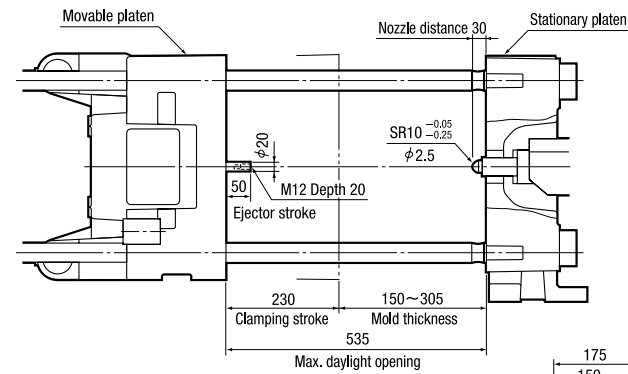
HOPPER FIXATION DIAGRAM

* For more details, please refer to the "hopper installation diagram."



MOLD ATTACHMENT DIAGRAM

* The minimum mold dimensions of 215 mm (H) × 215 mm (W) are required in order to achieve the maximum clamping force.



ROBOT FIXATION DIAGRAM

