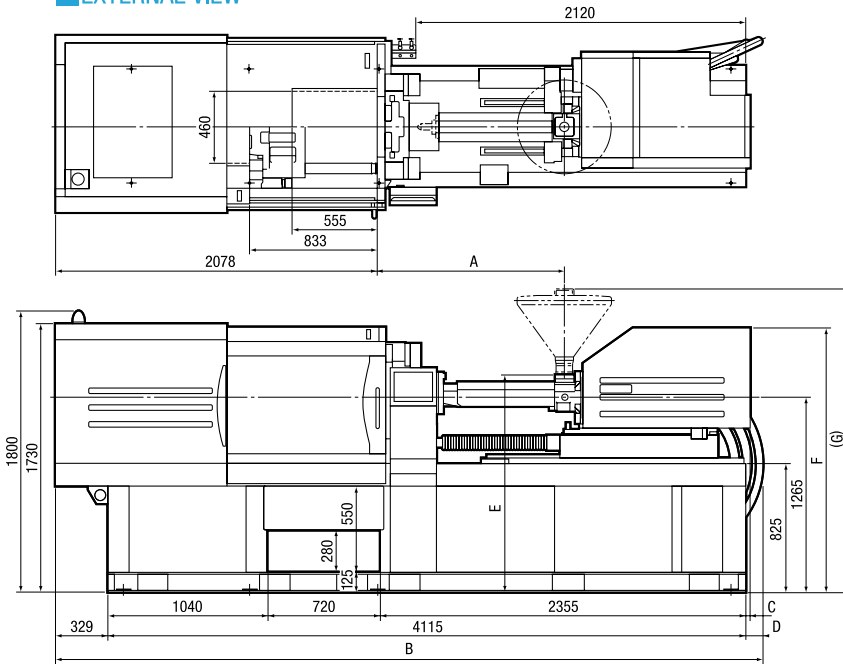


# NEX110

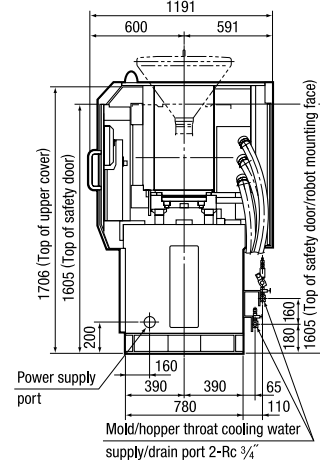
Injection type : ① 9E [Screw diameter :  $\phi 26 / \phi 28 / \phi 32$ ]  
 ② 12E [Screw diameter :  $\phi 28 / \phi 32 / \phi 36$ ]\*  
 ③ 18E [Screw diameter :  $\phi 32 / \phi 36 / \phi 40$ ]

The ★ indicates the standard combination.

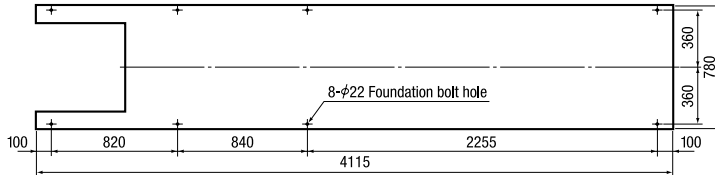
## EXTERNAL VIEW



Injection type	Screw dia.	A	B	C	D	E	F	G
① 9E	26	697~992	4444	—	—	—	—	—
	28	782~1077	4484	—	40	1415	1714	1905
	32	862~1157	4524	—	80	—	—	—
② 12E★	28	720~1015	4475	—	31	—	—	—
	32	897~1192	4564	24	120	1420	1714	1910
	36	827~1222	4709	166	265	—	—	—
③ 18E	36	996~1291	4778	235	334	1425	1785	1915
	40	—	—	—	—	—	—	—
	—	—	—	—	—	—	—	—

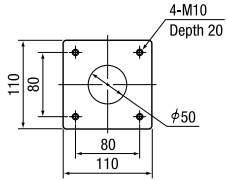


## FOUNDATION DIAGRAM



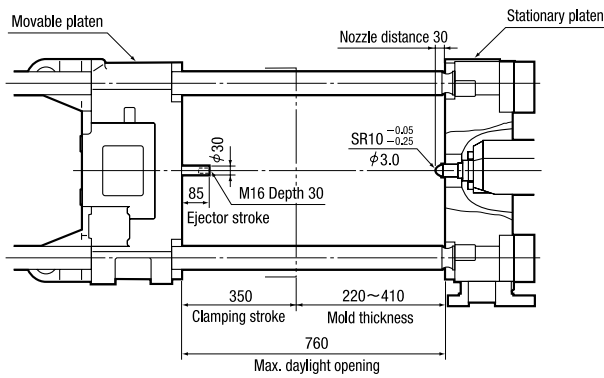
## HOPPER FIXATION DIAGRAM

\* For more details, please refer to the "hopper installation diagram."

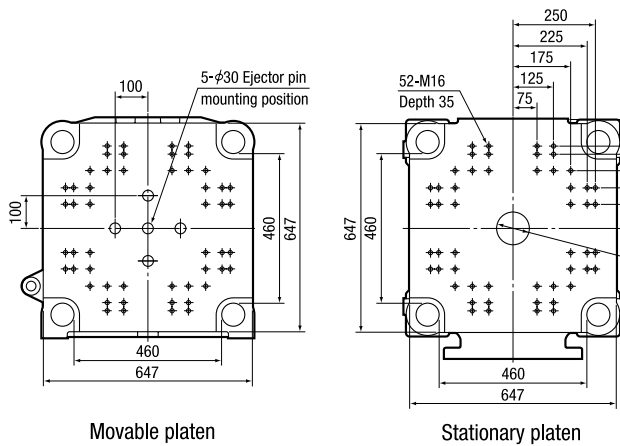
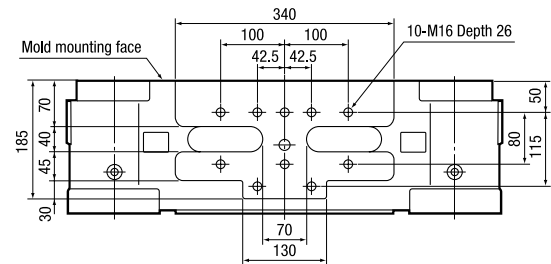


## MOLD ATTACHMENT DIAGRAM

\*The minimum mold dimensions of 325 mm (H) × 325 mm (V) are required in order to achieve the maximum clamping force.

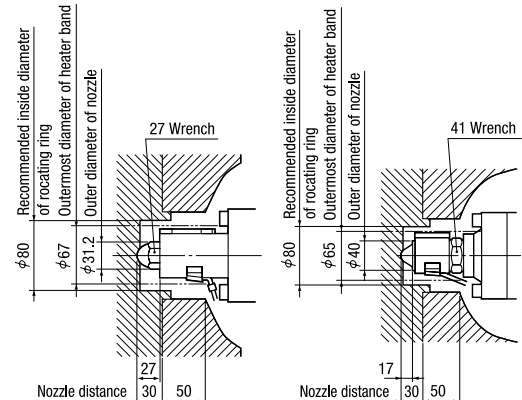


## ROBOT FIXATION DIAGRAM



Movable platen

Stationary platen



① 9E

② 12E • ③ 18E

Nozzle section