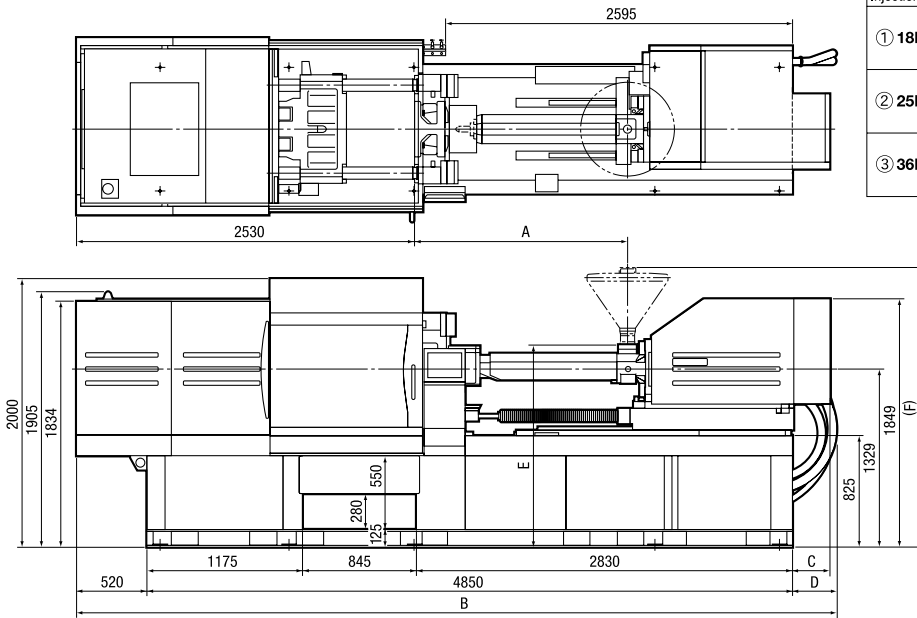


# NEX180

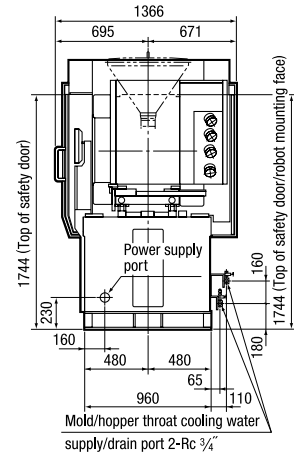
Injection type : ① 18E [Screw diameter :  $\phi 32/\phi 36/\phi 40$ ]  
 ② 25E [Screw diameter :  $\phi 36/\phi 40/\phi 45$ ] \*  
 ③ 36E [Screw diameter :  $\phi 40/\phi 45/\phi 50$ ] \*

The \* indicates the standard combination.

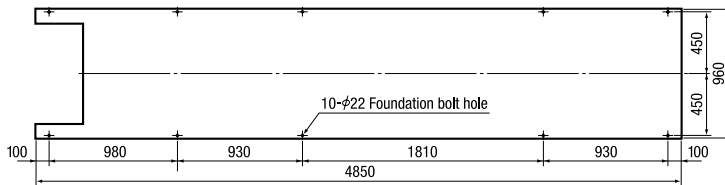
## EXTERNAL VIEW



Injection type	Screw dia.	A	B	C	D	E	F			
① 18E	32	827~1187	5370	—	—	1489	1979			
	36	995~1355								
	40									
② 25E *	36	921~1281	5370	—	—	1494	2067			
	40	1110~1470						5425	55	
	45									
③ 36E *	40	1018~1378	5580	66	210	1499	2072			
	45	1225~1585						5680	273	310
	50									

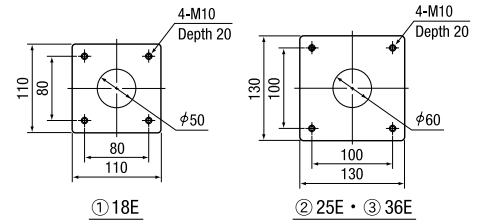


## FOUNDATION DIAGRAM



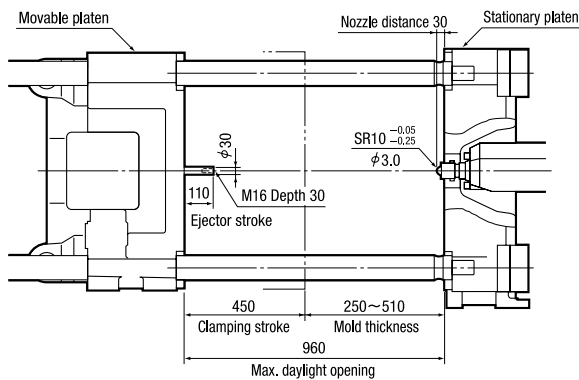
## HOPPER FIXATION DIAGRAM

\* For more details, please refer to the "hopper installation diagram."

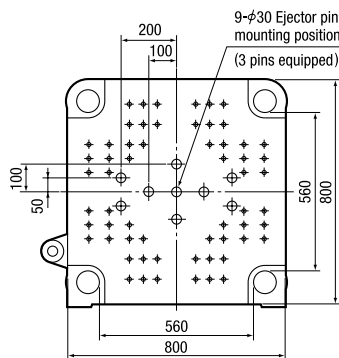
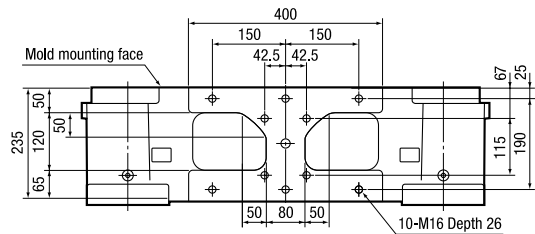


## MOLD ATTACHMENT DIAGRAM

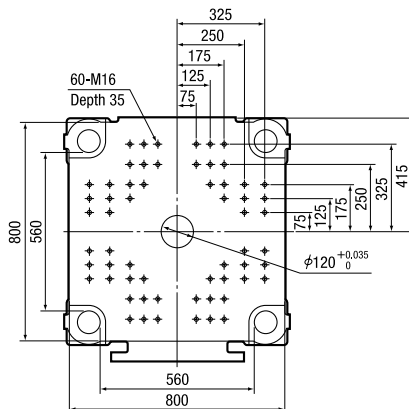
\* The minimum mold dimensions of 395 mm (H) × 395 mm (V) are required in order to achieve the maximum clamping force.



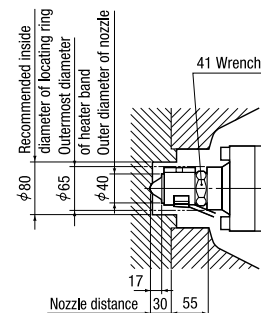
## ROBOT FIXATION DIAGRAM



Movable platen



Stationary platen



Nozzle section