

NEX220

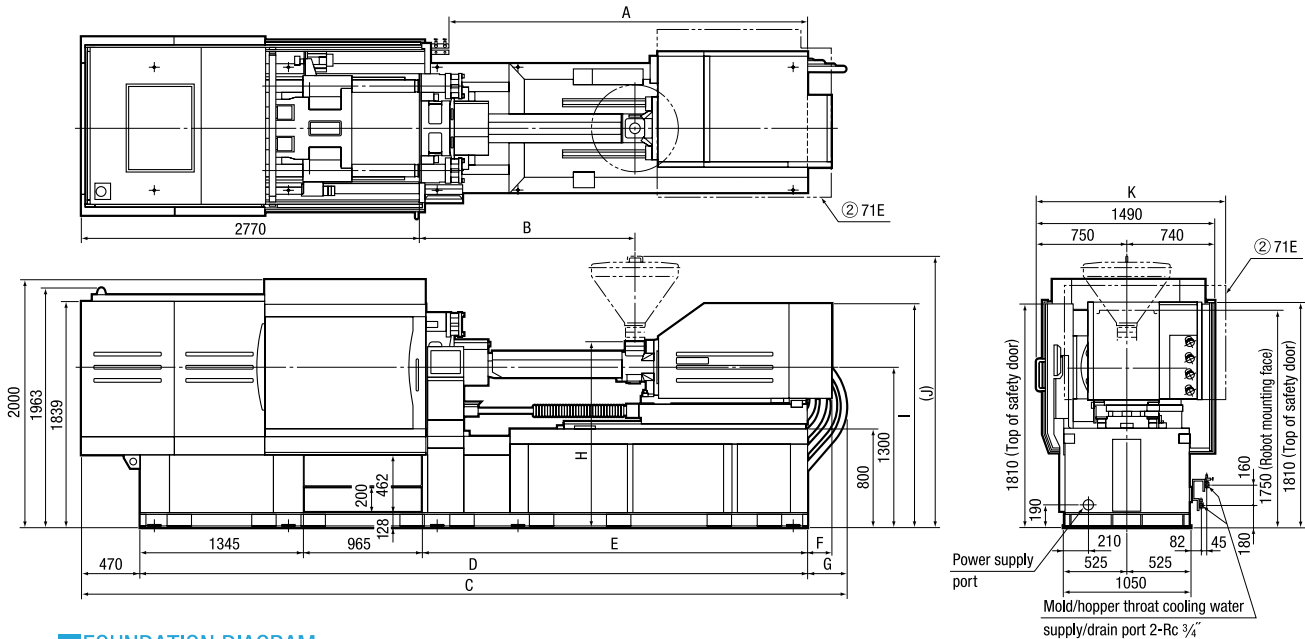
Injection type : ① 50E [Screw diameter : $\phi 45 / \phi 50 / \phi 56$]★

② 71E [Screw diameter : $\phi 50 / \phi 56 / \phi 63$]

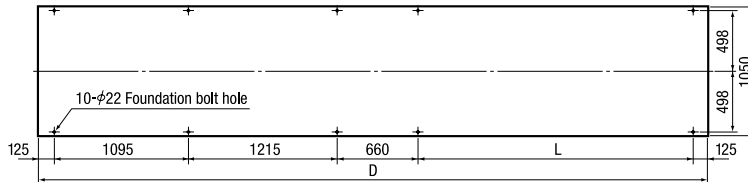
The ★ indicates the standard combination.

EXTERNAL VIEW

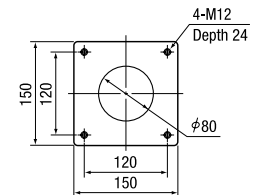
Injection type	Screw dia.	A	B	C	D	E	F	G	H	I	J	K	L
① 50E★	45		1147~1527	6006			51						
	50	2930	1374~1754	6233	5485	3175	278	—	1465	1820	2148	—	2265
	56												
② 71E	50		1279~1659	6042			—	42					
	56	2975	1547~1927	6310	5530	3220	199	310	1485	1940	2171	1560	2310
	63												



FOUNDATION DIAGRAM

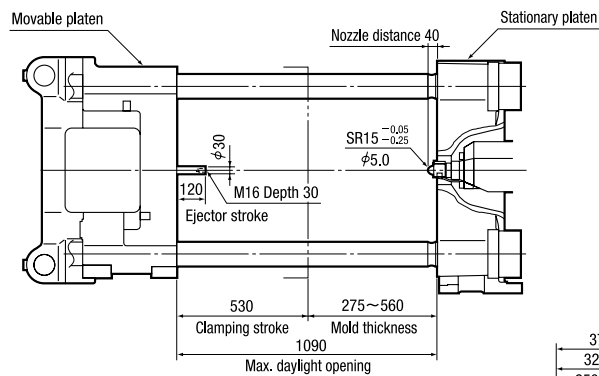


HOPPER FIXATION DIAGRAM

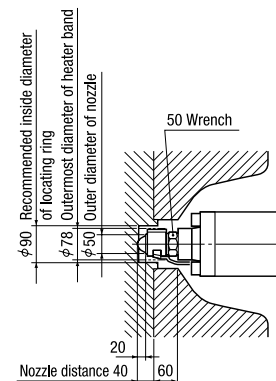
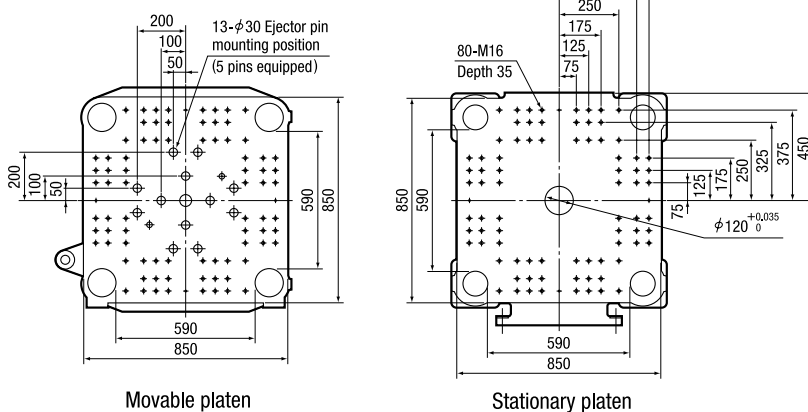
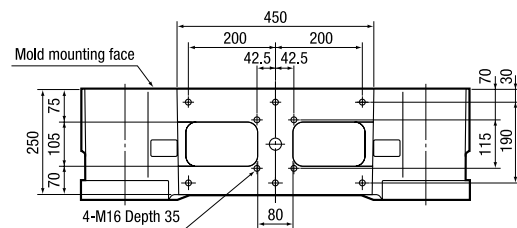


MOLD ATTACHMENT DIAGRAM

*The minimum mold dimensions of 415 mm (H) × 415 mm (V) are required in order to achieve the maximum clamping force.



ROBOT FIXATION DIAGRAM



● Subject to change without notice for performance upgrades.