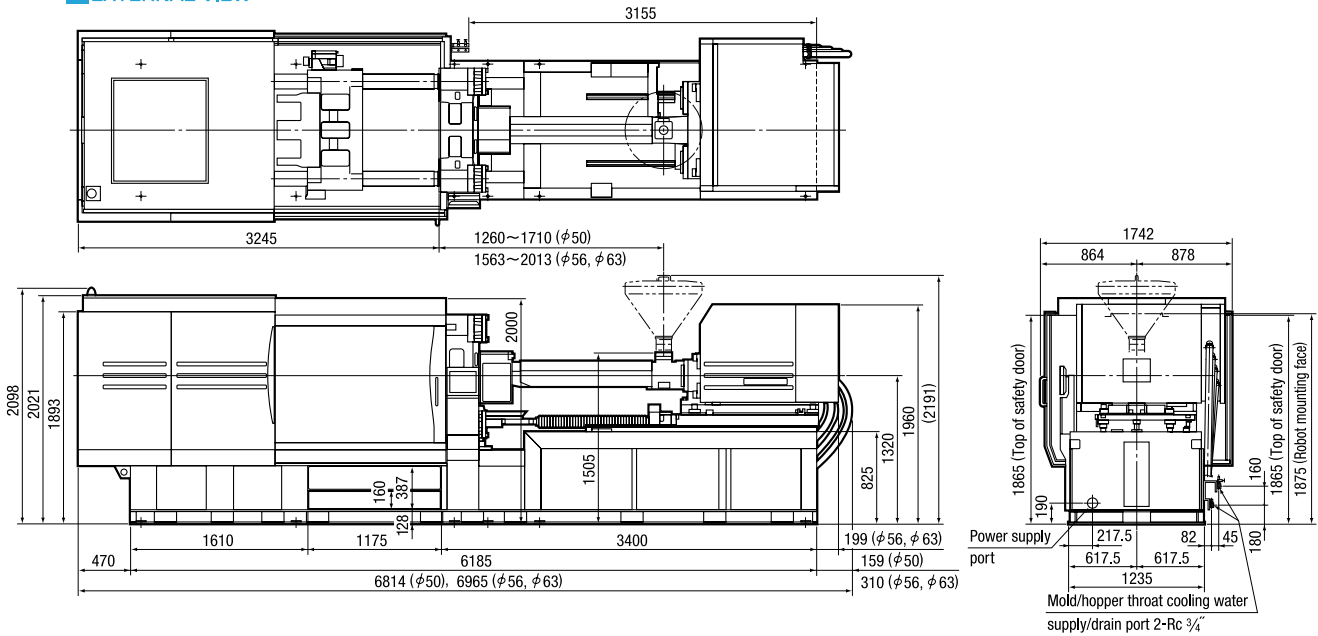


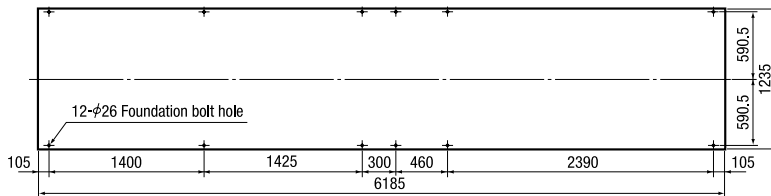
NEX360

Injection type : 100LE [Screw diameter : $\phi 50 / \phi 56 / \phi 63$]

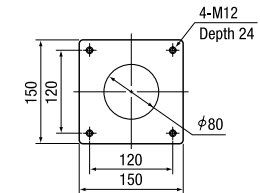
EXTERNAL VIEW



FOUNDATION DIAGRAM

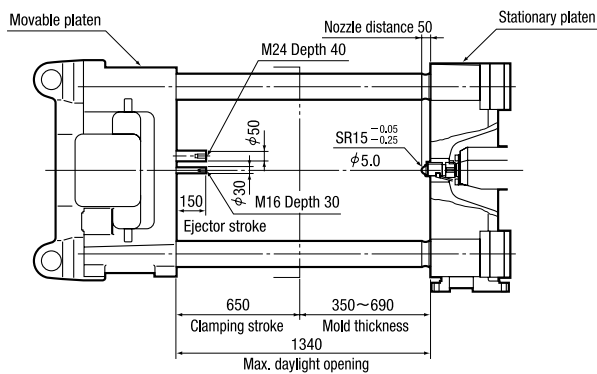


HOPPER FIXATION DIAGRAM



MOLD ATTACHMENT DIAGRAM

*The minimum mold dimensions of 520 mm (H) × 520 mm (V) are required in order to achieve the maximum clamping force.



ROBOT FIXATION DIAGRAM

