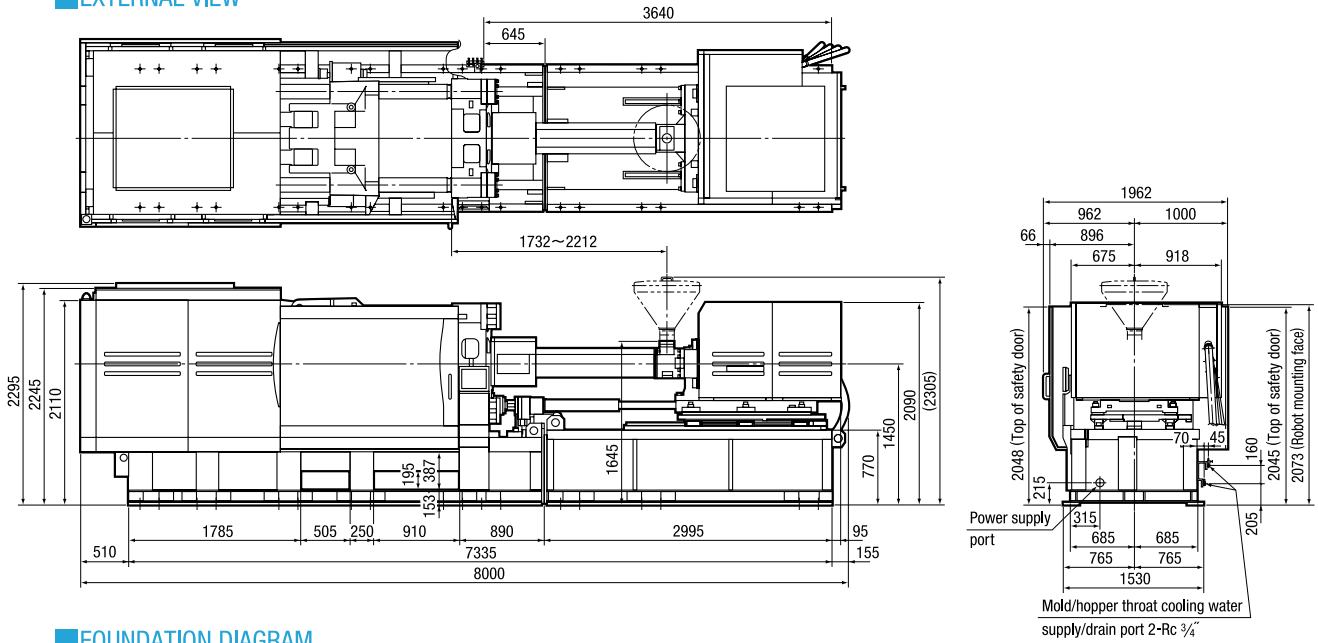


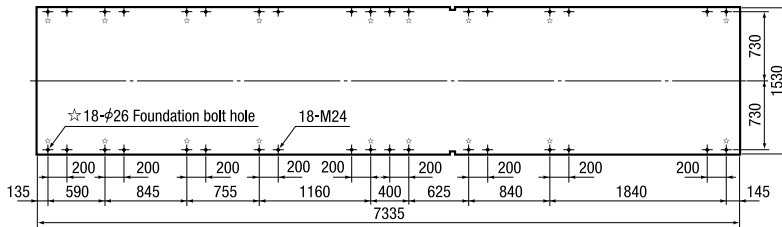
NEX460

Injection type : 140LE [Screw diameter : $\phi 63/\phi 71$]

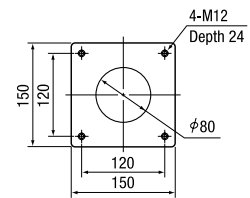
EXTERNAL VIEW



FOUNDATION DIAGRAM

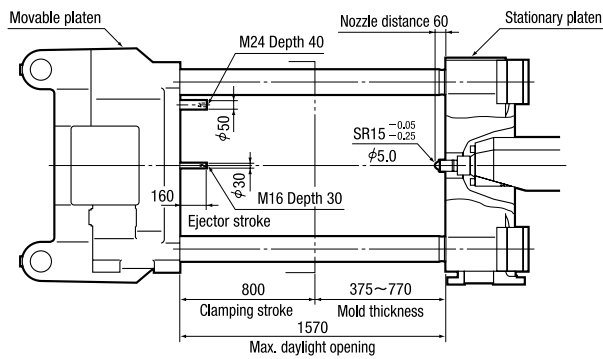


HOPPER FIXATION DIAGRAM

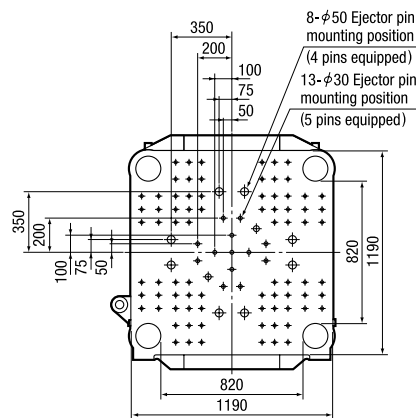
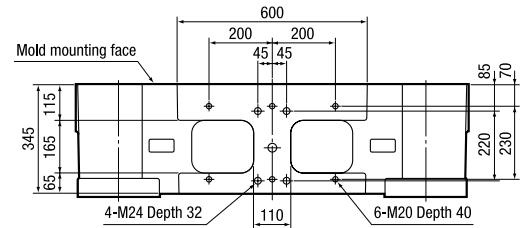


MOLD ATTACHMENT DIAGRAM

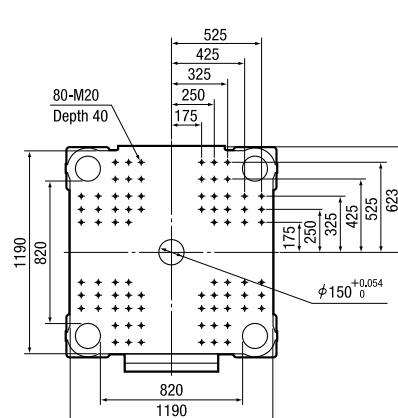
* The minimum mold dimensions of 580 mm (H) × 580 mm (V) are required in order to achieve the maximum clamping force.



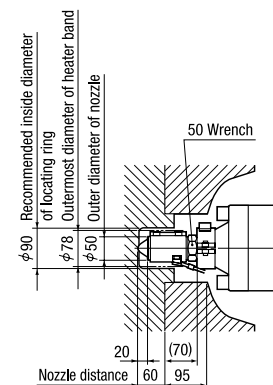
ROBOT FIXATION DIAGRAM



Movable platen



Stationary platen



Nozzle section