

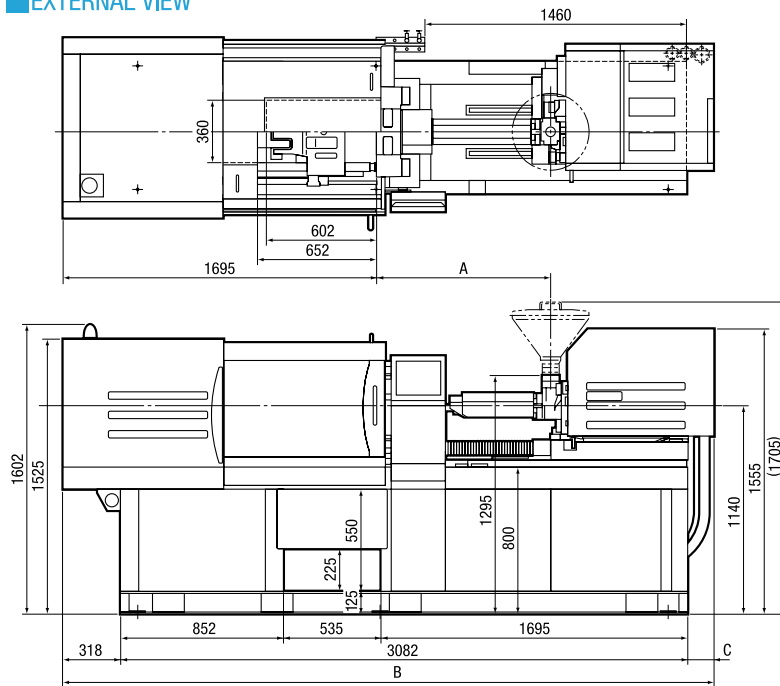
# NEX50

Injection type : ① 3E [Screw diameter :  $\phi 19 / \phi 22$ ]

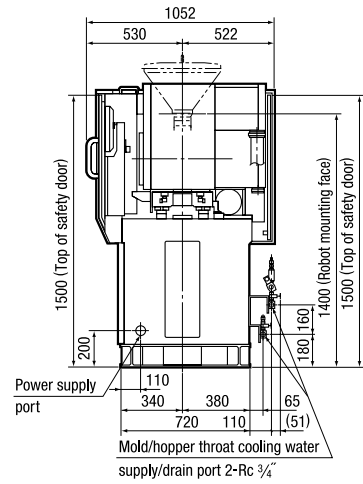
② 5E\* [Screw diameter :  $\phi 22 / \phi 26 / \phi 28$ ] \*

The ★ indicates the standard combination.

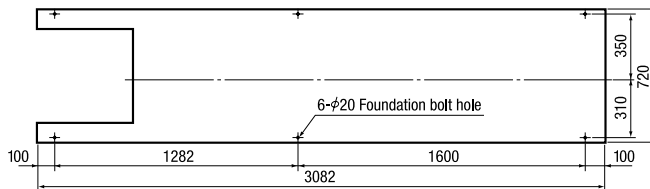
## EXTERNAL VIEW



Injection type	Screw dia.	A	B	C
① 3E	19	553~828	3425	25
	22	605~830	3425	25
② 5E*	22	605~830	3425	25
	26	691~916	3512	112
	28	734~959	3555	155

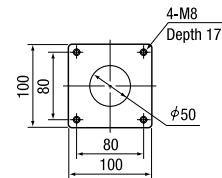


## FOUNDATION DIAGRAM



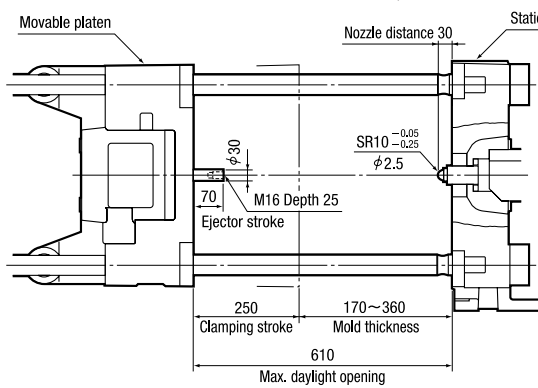
## HOPPER FIXATION DIAGRAM

\* For more details, please refer to the "hopper installation diagram."

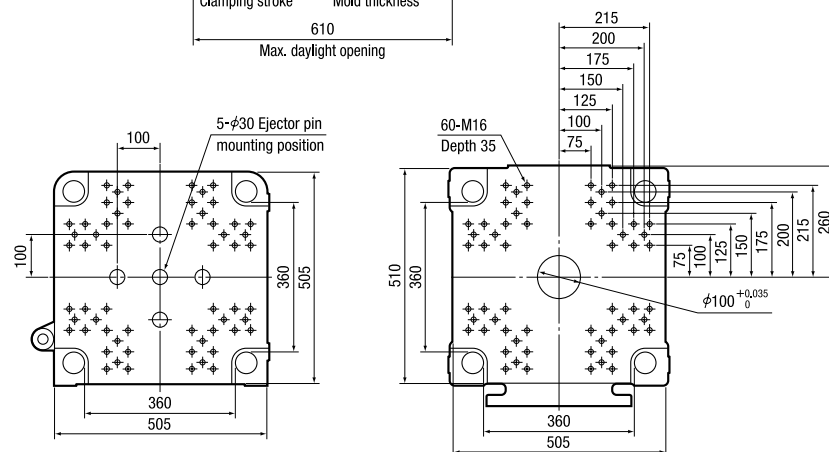
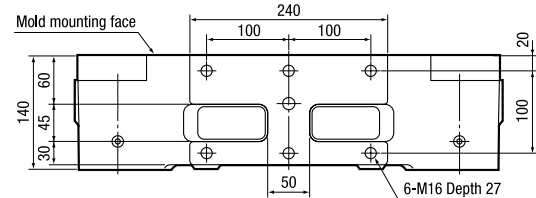


## MOLD ATTACHMENT DIAGRAM

\*The minimum mold dimensions of 255 mm (H) × 255 mm (V) are required in order to achieve the maximum clamping force.

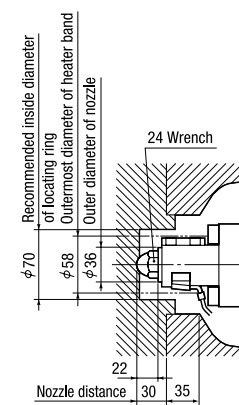


## ROBOT FIXATION DIAGRAM



Movable platen

Stationary platen



Nozzle section