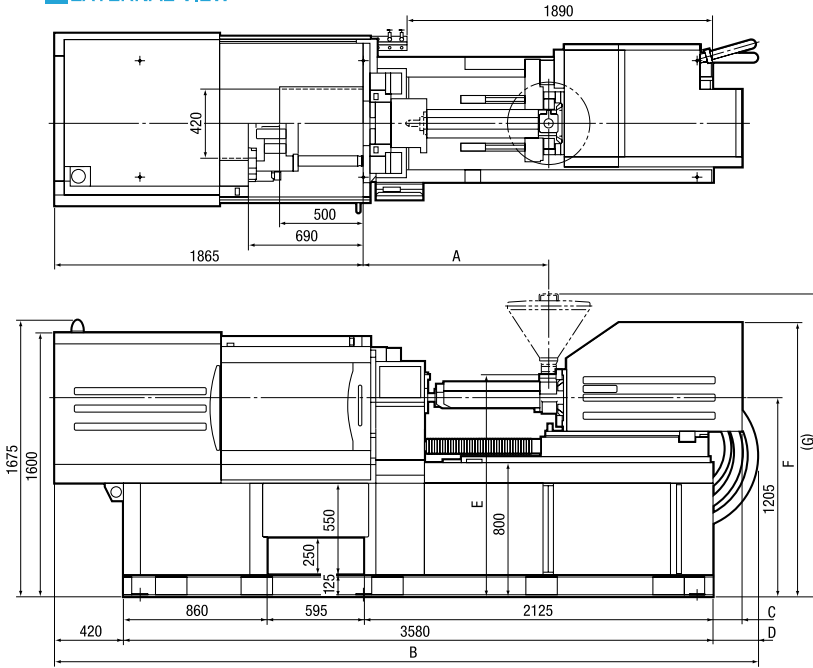


# NEX80

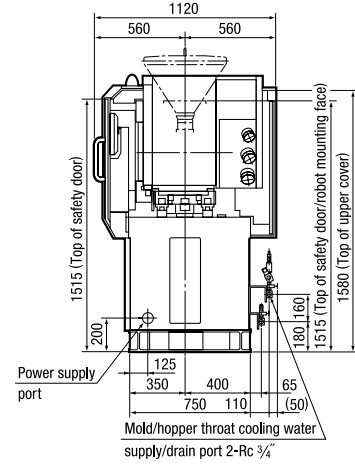
Injection type : ① 5E [Screw diameter :  $\phi 22/\phi 26/\phi 28$ ]  
 ② 9E [Screw diameter :  $\phi 26/\phi 28/\phi 32$ ]★  
 ③ 12E [Screw diameter :  $\phi 28/\phi 32/\phi 36$ ]

The ★ indicates the standard combination.

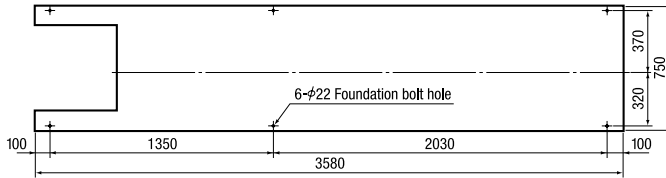
## EXTERNAL VIEW



Injection type	Screw dia.	A	B	C	D	E	F	G
① 5E	22	605~966	4000	—	—	1360	1620	1770
	26	691~966						
	28	734~1009						
② 9E★	26	697~1057	4190	96	190	1355	1655	1845
	28	782~1057						
	32	862~1137						
③ 12E	28	720~1080	4240	142	238	1360	1655	1850
	32	897~1172						
	36	—						

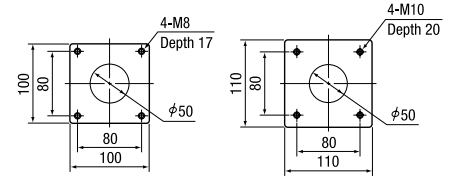


## FOUNDATION DIAGRAM



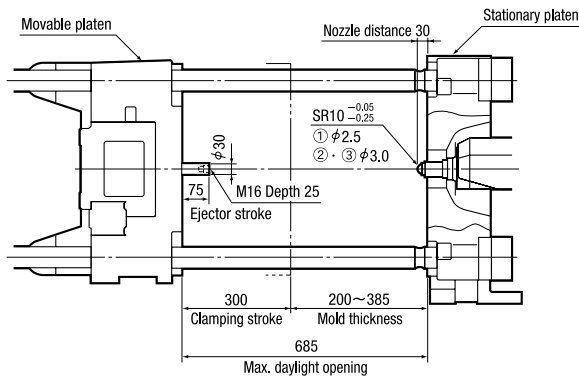
## HOPPER FIXATION DIAGRAM

\* For more details, please refer to the "hopper installation diagram."

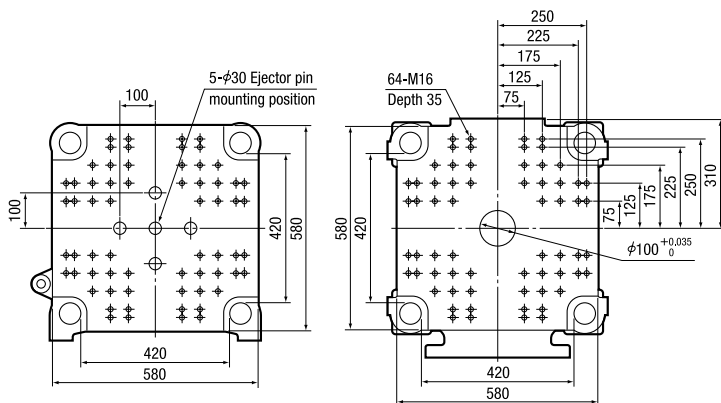
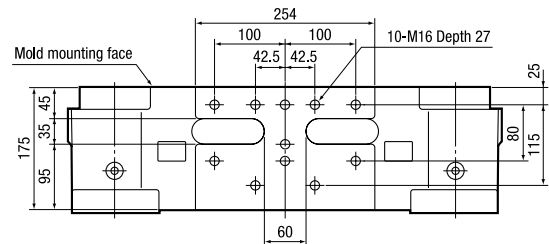


## MOLD ATTACHMENT DIAGRAM

\*The minimum mold dimensions of 295mm (H) × 295mm (V) are required in order to achieve the maximum clamping force.

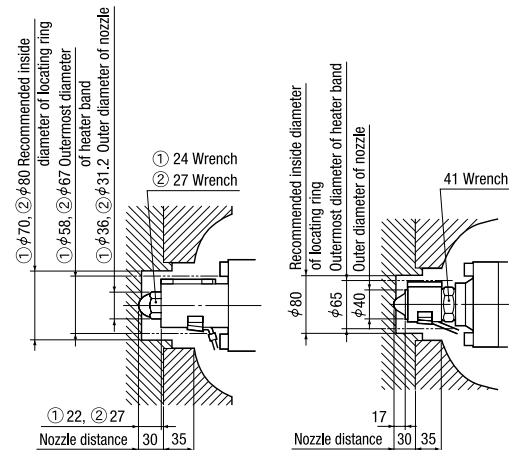


## ROBOT FIXATION DIAGRAM



Movable platen

Stationary platen



① 5E • ② 9E

③ 12E

Nozzle section